

USER MANUAL

Fire Rated LED Recessed Light




RISK OF ELECTRIC SHOCK

- All electrical connections must be in accordance with local and National Electric code (N.E.C.) standards.
- If unfamiliar with proper electrical wiring connections, obtains the service from a qualified electrician.

RISK OF FIRE

- Keep combustibles and other easy-burn materials away from lights.
- The maximum ambient temperature is 104°F. Do not operate at higher temperature.

WARRANTY

CAUTION: Turn off the the circuit breaker before installation to prevent electric shock. 

We deeply appreciate the trusting to purchase our lights. All of our lights are ETL listed. Which means the lights is safety for application, and lifetime can meet EPA requirement. As for the warranty period for each model, Please refer to the dealer’s commitment.

SPECIFICATIONS

Size	4"	6"
Model	EPCL-10X-FR-5CCT	EPCL-12X-FR-5CCT
Input	AC90-130V	AC90-130V
Wattage	10W	12W
PF	0.9	0.9
Lumen	750lm	1050lm
CRI	> 80	> 80

PLEASE READ CAREFULLY BEFORE INSTALLATION

Save these instructions as it may be need later.

PRE-INSTALLATION

TOOLS REQUIRED



Power drill with a hole saw



Ladder



Safety Goggles



Insulation Gloves



Wire Cutter and Stripper



Dimmer in compatible list

PLANNING THE INSTALLATION

- Mark the location using the template for each lights, cut out the hole in the drywall or ceiling tile (for a suspended T-bar ceiling).
- Run wires from the dimmer to the location for each lights.

SELECT THE LIGHT COLOR TEMPERATURE

This LED lights provides a wide dimming range with an optional color temperatures. For 5CCT version: 2700K / 3000K / 3500K / 4000K / 5000K available.

2700K



3000K



3500K



4000K



5000K



NOTICE: Select the preferred color BEFORE put the junction box onto the ceiling.

INSTALLATION INSTRUCTIONS

Fig1:

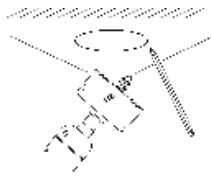


Fig 2:

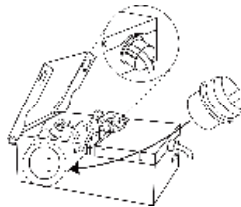


Fig3:



Fig4:

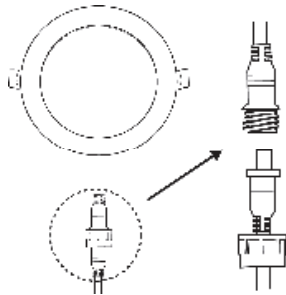


Fig 5:

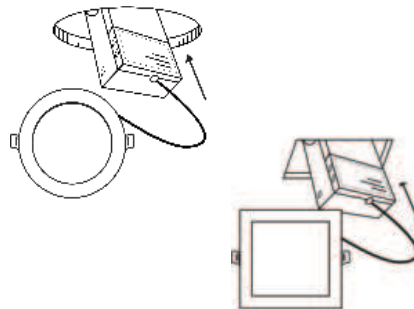
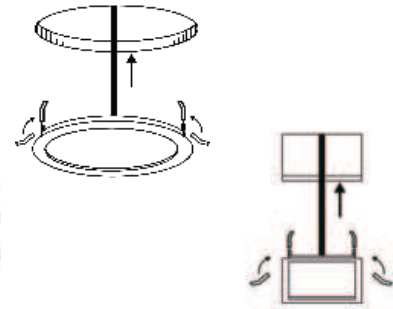


Fig6:



- Fig 1:**
- ① Turn off the circuit breaker before installation.
 - ② Mark the locations for each light. Cut out the openings.

Hole Cut Size:

4inch	Φ 4 1/8" (105mm)
6 inch:	Φ 6 1/4" (158mm)

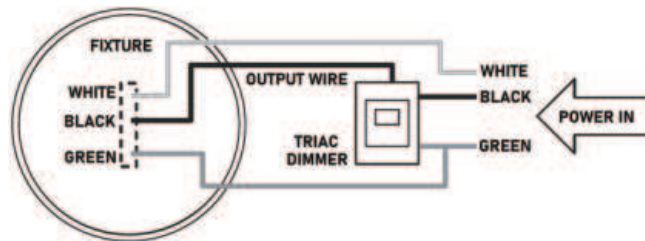
- Fig 2:**
- ③ Remove the knockout and put on a grommet to protect the wires, run the wire through the grommet.
- Fig 3:**
- ④ Connect the wires to the connectors (green wire to Ground wire, black wire to Line wire, white wire to Neutral wire), twist clockwise to unloose
 - ⑤ Tuck the connected wire and close the cover.
- Fig 4:**
- ⑥ Connect the junction box and the light with the provided DC male / female connector. Do the connection with the arrow signs on the ends of cable aligned. Screw the cap to protect the connector.
- Fig 5:**
- ⑦ Insert the J-box through the cut hole in the ceiling.
- Fig 6:**
- ⑧ Snap the spring clip and mount the light in the opening.
 - ⑨ Turn on the circuit and test the fixture.

TRIAC DIMMERS AND CONNECTIONS

LUTRON: DVRP-253P, MA-PRO, PD-5NE, RRD-PRO, GT-5NEM, CTRP-253P, NTRP-250, RRD-6NA, SCL-153P, CTCL-153P, DVCL-153P, MACL-153, MACL-153M-LA, AYCL-153P-WH

LEVITON: 06674-722, 06674-752, 06674-726

NOTICE: Dimming performance depends on dimmer, dimmer settings (for dimmers with brightness range adjustments), wiring methods, and the number of led fixtures (Total Power of Lights <80% of the Rated Power of the Dimmer).



TROUBLE SHOOTING

Below are some common trouble shooting for reference:

Trouble	Possible Reason	Solution
Unlit	the wire loosen/off/break	Double check the connection of the wire.
Abnormal brightness	mix the junction boxes	Check the marked wattage on J-box, ex. 9W for 4" and 12W for 6".
Cannot Dim or Flash	incompatible dimmer	Select a dimmer from the recommended dimmer list.
Flickering	the wire loosens/off/breaks	Double check the connection of the wire.
	mix the junction boxes	Check the marked wattage on J-box, ex. 9W for 4" and 12W for 6".
	incompatible dimmer	Select a dimmer from the recommended dimmer list.
	compatible dimmer, but too many lights connect to one dimmer	Reduce the number of lights connected to the one dimmer. (Total Power of the Lights ≤80% of Dimmer's Rated Power)
	high-power electrical appliances on the same circuit	Remove and set to different circuit.